

# Telecentric lens with large FOV

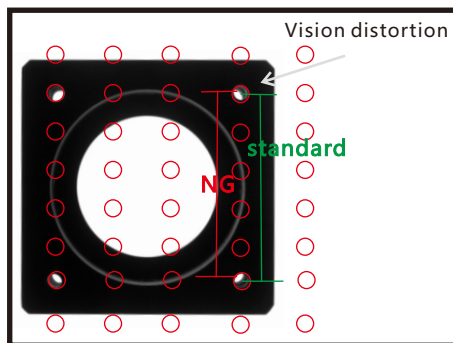
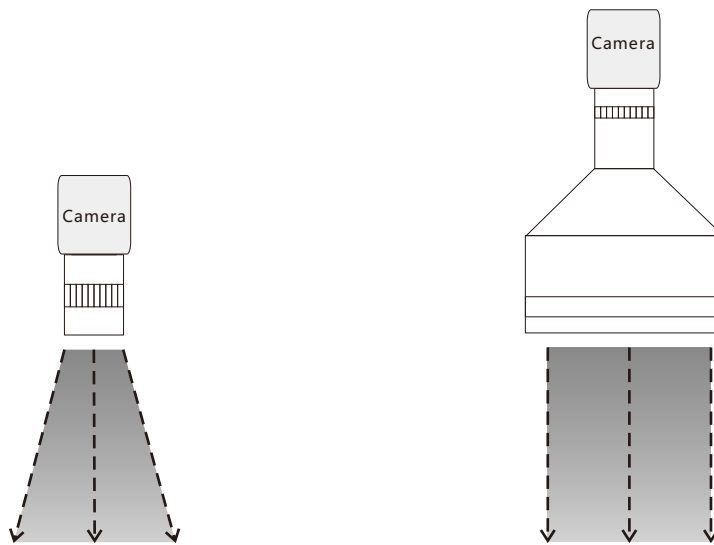
NA of imaging is 0.1

Telecentricity all to be 0.05°

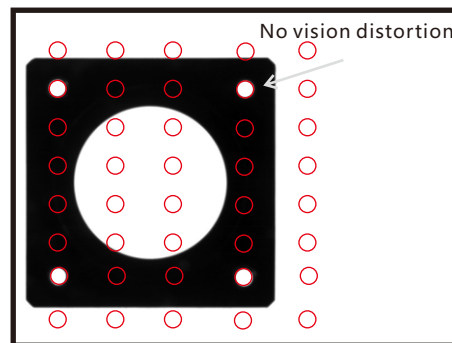
All distortion less than 0.05%



Model	MAG	Object FOV (mm)	Imaging FOV (mm)	Imaging NA	Max CCD	WD	Tv distortion	DOF	O/I	Install
J Q-16*/2-*. .	-+16	//2	..	-+	/,0¢	/2-	--2"	.34	4/.	@
J Q-4*.42*. .	-+4	.2-	..	-+	/,0¢	.4-	--2"	5.8	14-	@
J Q-6*.12*. .	-+6	. /2	..	-+	/,0¢	.12	--2"	16-1	062-4	@
J Q.*/.5*. .	-+	.-2	..	-+	/,0¢	./5	--2"	1-	012-1	@
J Q.1*5*. .	-+1	5-	..	-+	/,0¢	5-	--2"	/-1	/2.-2	@
J Q.5*64*. .	-+5	3-	..	-+	/,0¢	64	--2"	./0	/10-8	@
J Q/5*43*. .	-+5	1-	..	-+	/,0¢	43	--2"	2.	.6.-1	@
J Q-04*30*. .	-04	0-	..	-+	/,0¢	30	--2"	/-6	.24+	@
J Q-03*/2-*.5	-+03	//2	5	-+	./,¢	/2-	--2"	0-6	4//1	@
J Q-20*.42*5	-+20	.2-	5	-+	./,¢	.4-	--2"	.1/-1	14-4	@
J Q-31*.10*5	-+31	. /2	5	-+	./,¢	.10	--2"	64-4	060-1	@
J Q-43*. /5*5	-+43	.-2	5	-+	./,¢	./5	--2"	36-0	01.-5	@
J Q.*64*5	-+	5-	5	-+	./,¢	64	--2"	1-	/2.-5	@



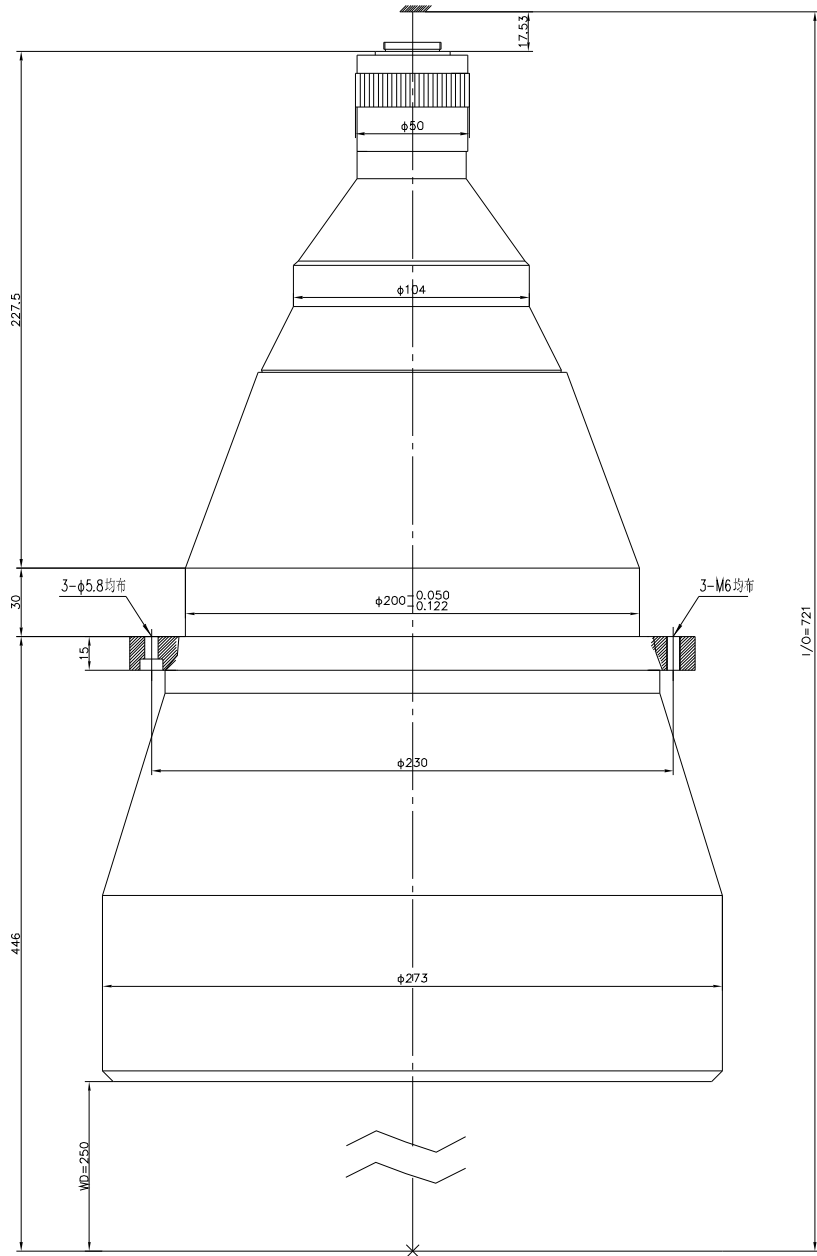
Block (≤20mm)



Block (≤20mm)

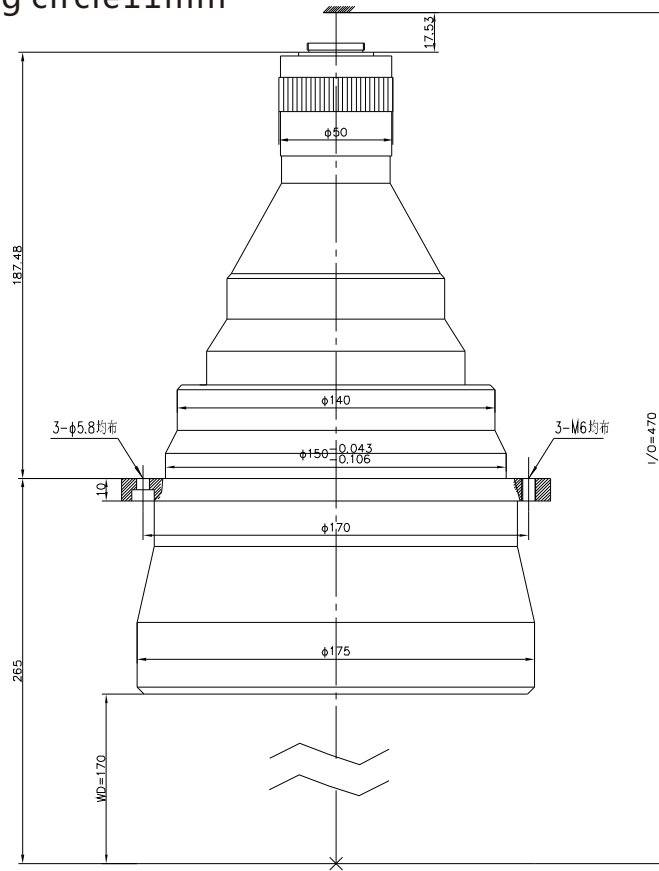
# MT0049-250-11

Max vision 225mm, Imaging circle 11mm



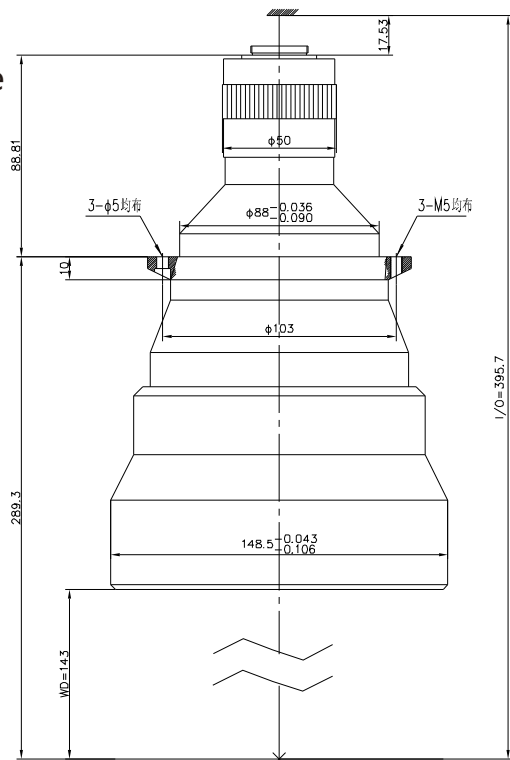
# MT007-175-11

Max vision 150mm, Imaging circle 11mm



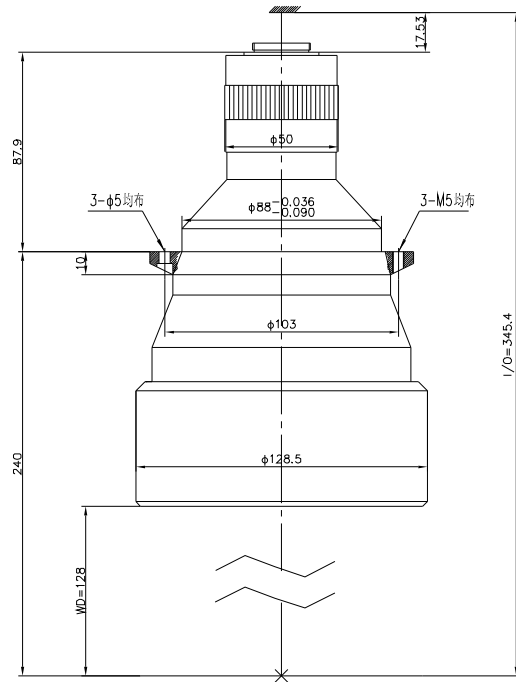
# MT009-145-11

Max vision 125mm, Imaging circle 11mm



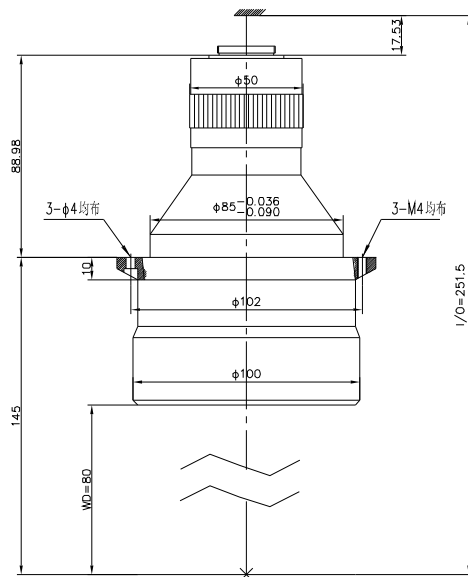
# MT01-128-11

Max vision 105mm, Imaging circle 11mm



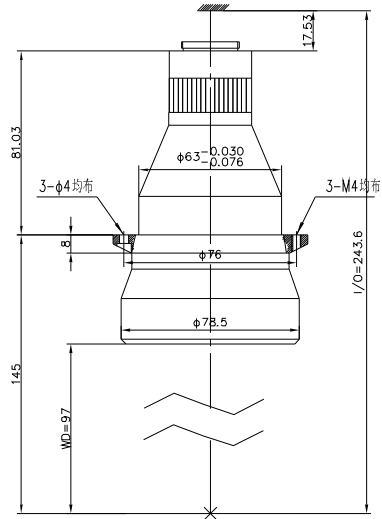
# MT014-80-11

Max vision 80mm, Imaging circle 11mm



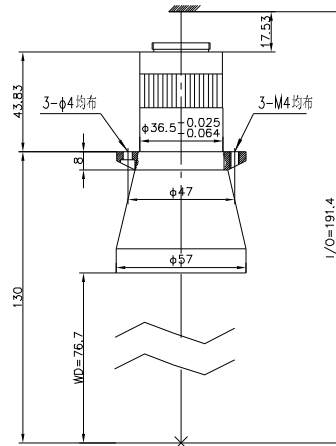
## MT018-97-11

Max vision 60mm, Imaging circle 11mm



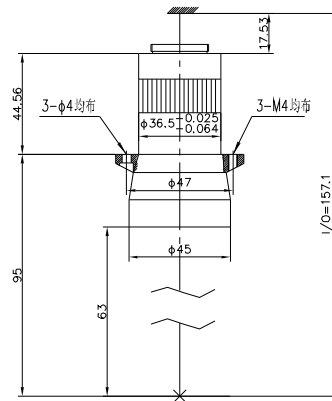
## MT028-76-11

Max vision 40mm, Imaging circle 11mm



## MT037-63-11

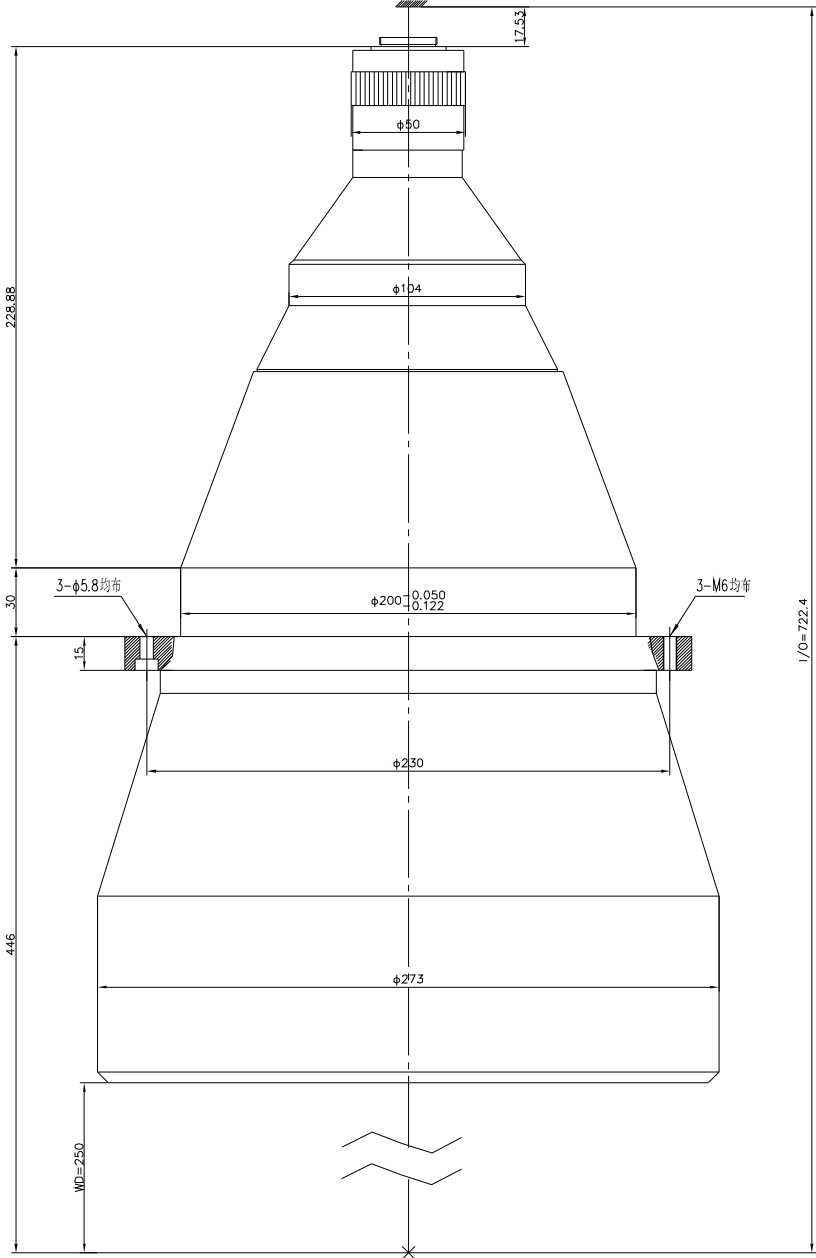
Max vision 30mm, Imaging circle 11mm



# MT0036-250-8

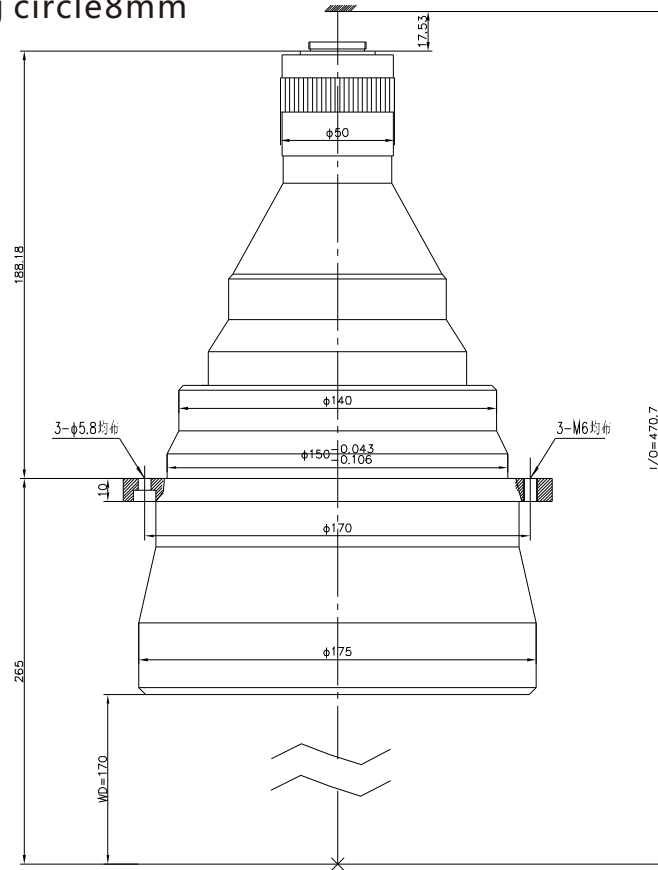
Max vision 225mm, Imaging circle

8mm



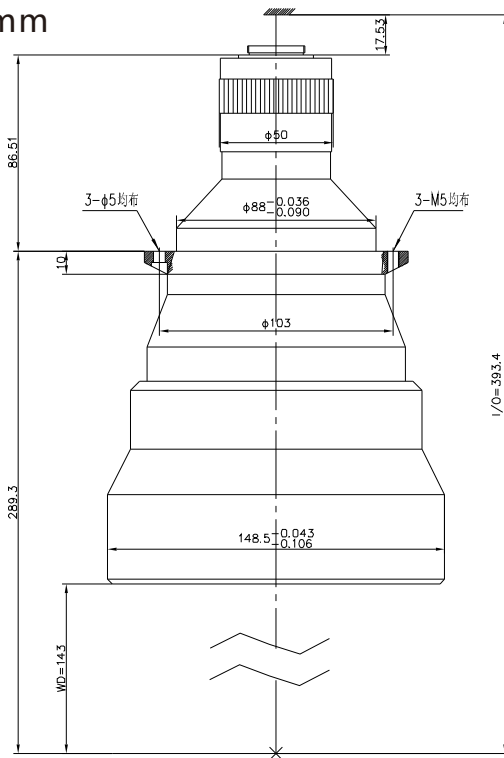
## MT0053-175-8

Max vision 150mm, Imaging circle 8mm



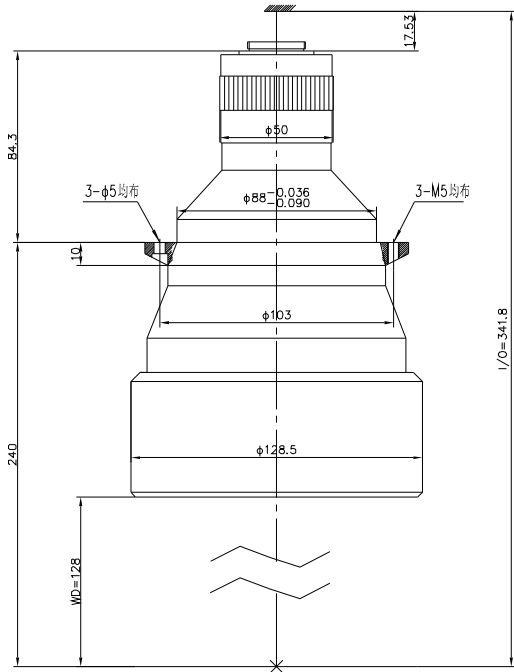
## MT0064-143-8

Max vision 125mm, Imaging circle 8mm



# MT0076-128-8

Max vision 105mm, Imaging circle 8mm



# MT01-97-8

Max vision 80mm, Imaging circle 8mm

