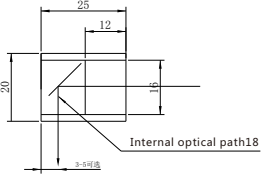


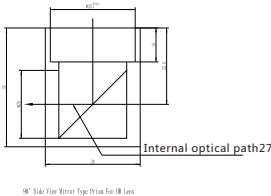
Customized Lens



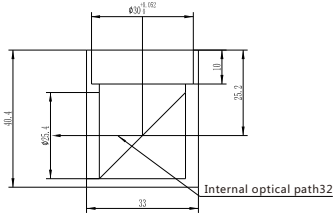
Attached with $\Phi 16$ lens
MT-PL16



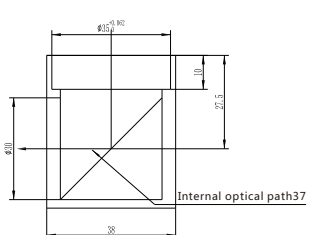
Attached with $\Phi 25$ lens
MT-PL25



Attached with $\Phi 30$ lens
MT-PL30



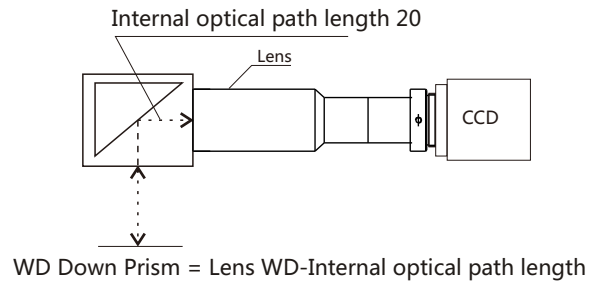
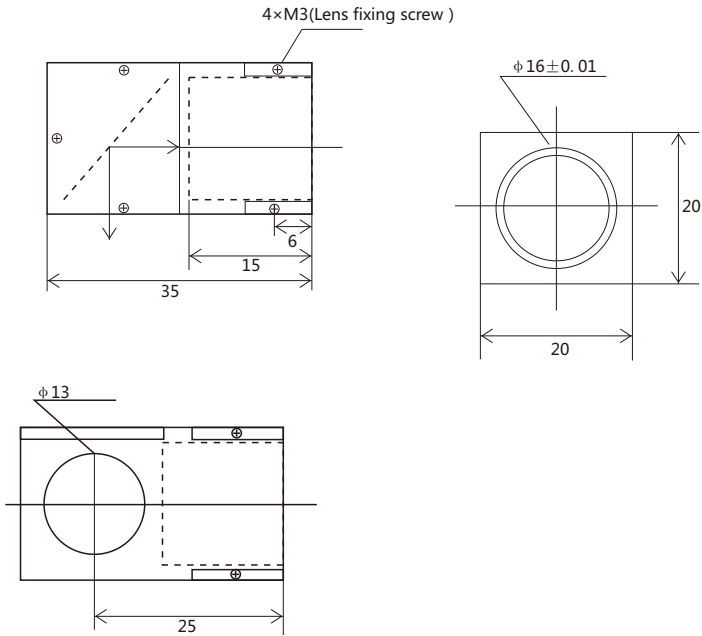
Attached with $\Phi 35$ lens
MT-PL35



90 degree side view prism

Optical axis can be bended by 90 degree ,
 applied in the case of limited space. Imaging as shown below: (unit mm)

MT-PL16



Variable optical axis spacing type

Minimum distance between two objects can be identified

MT-P2

