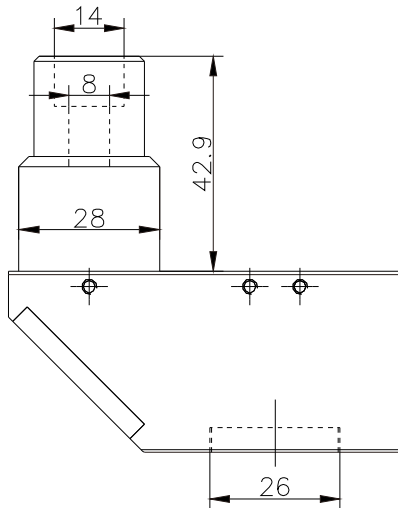


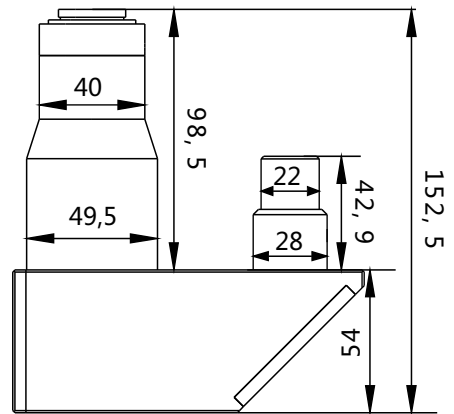
# Customized lens



MC-1

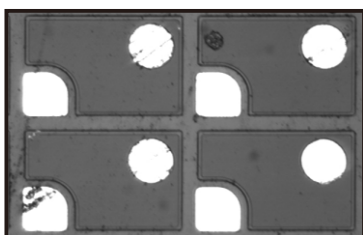


M05-UC-3

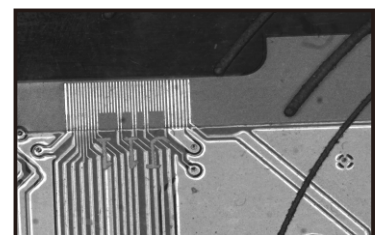


Note: This coaxial illuminator is customized

## Applications



Wafer



PCB circuit board

## Combination

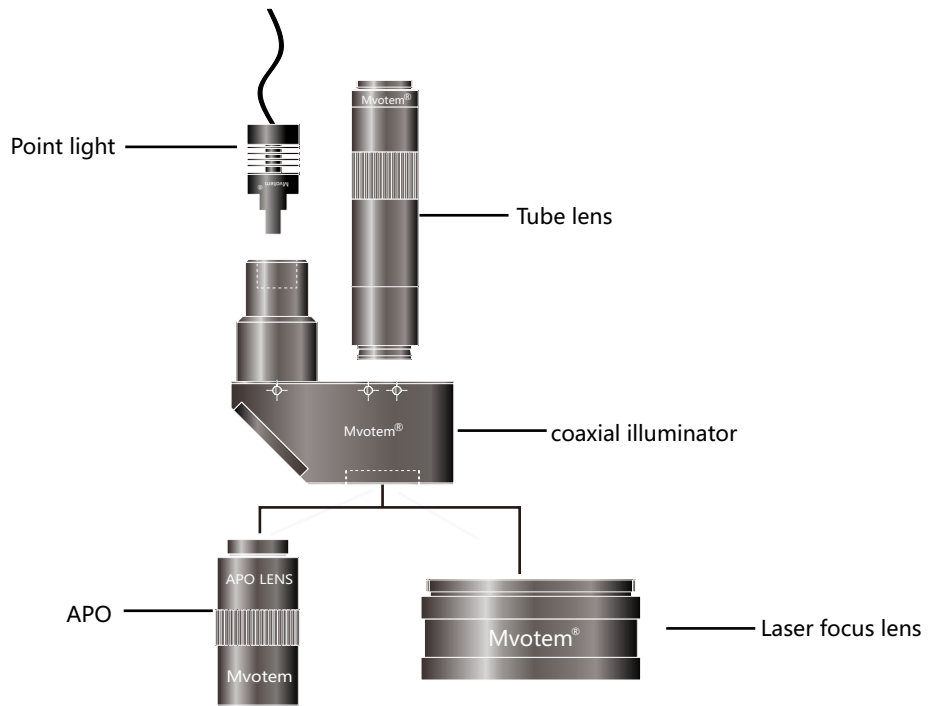


Photo for tube lens + illuminator combination  
Combination model No.:MF-600VID-F

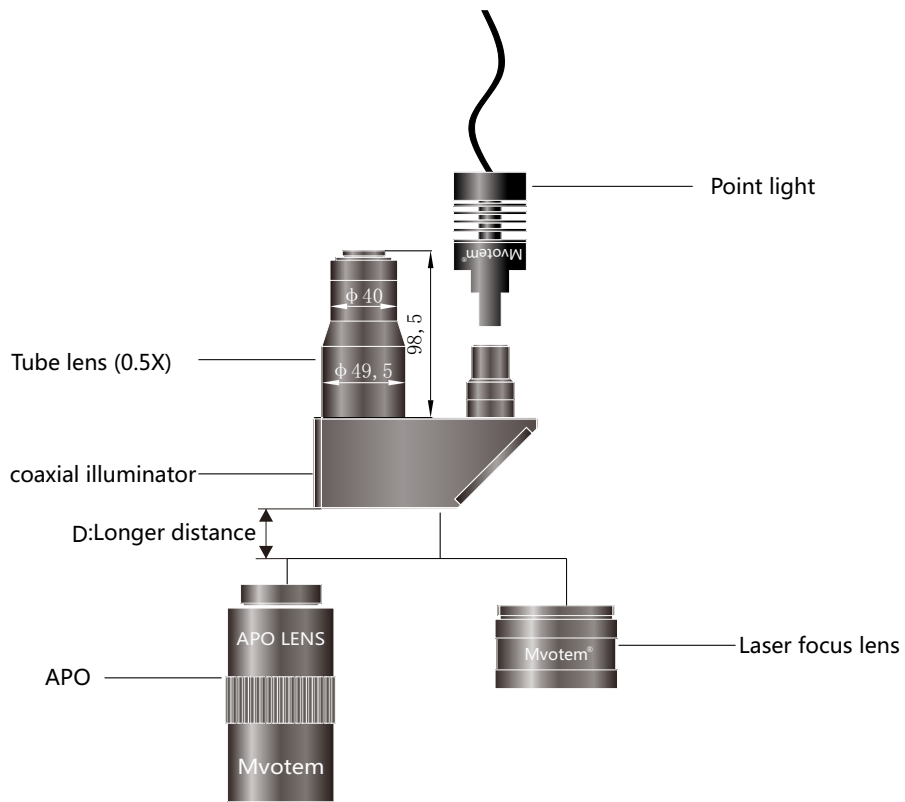


Photo for tube lens (0.5X) + illuminator combination  
Combination model No.:M05-UC-3  
Note: This coaxial illuminator is customized, longer WD available

# System

